



Sovitron Interior Pvt.Ltd.



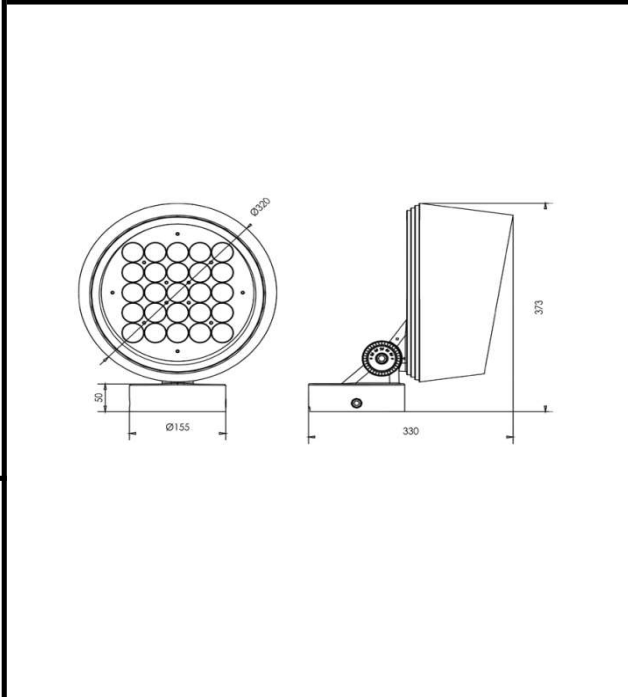
<b>Model Name</b>	GOTHIC-1132F/DL-OSL-1332FD-25
<b>Description</b>	Flood Light

Technical description	Image
-----------------------	-------

<b>Dimension</b>	Dia=320mm H=373mm
<b>Frame</b>	Aluminum die cast
<b>Color Tempertaure</b>	3000K
<b>Power</b>	85W
<b>Total Luminous Flux</b>	8160 lm
<b>Efficacy</b>	96 lm/W
<b>IP rating</b>	66
<b>Color Rendering</b>	≥80
<b>Mounting</b>	Surface
<b>Beam angle</b>	2.6, 3.5, 12, 20, 30, 60, 10x70, 5x20 Degree
<b>Optics</b>	Lens & Clear Glass
<b>Dimming</b>	NON-Dimmable
<b>Operating Voltage</b>	220-240 VAC
<b>Standard Lifetime</b>	L70 minimum at 50,000 burning hours



**Dimension diagram**



**Remarks:-**

**Address: Plot #7 Saroorpur-Nangla Industrial Area,Ballabgarh-Sohna Road,Faridabad-121005**  
**Email: info@sovitron.com**